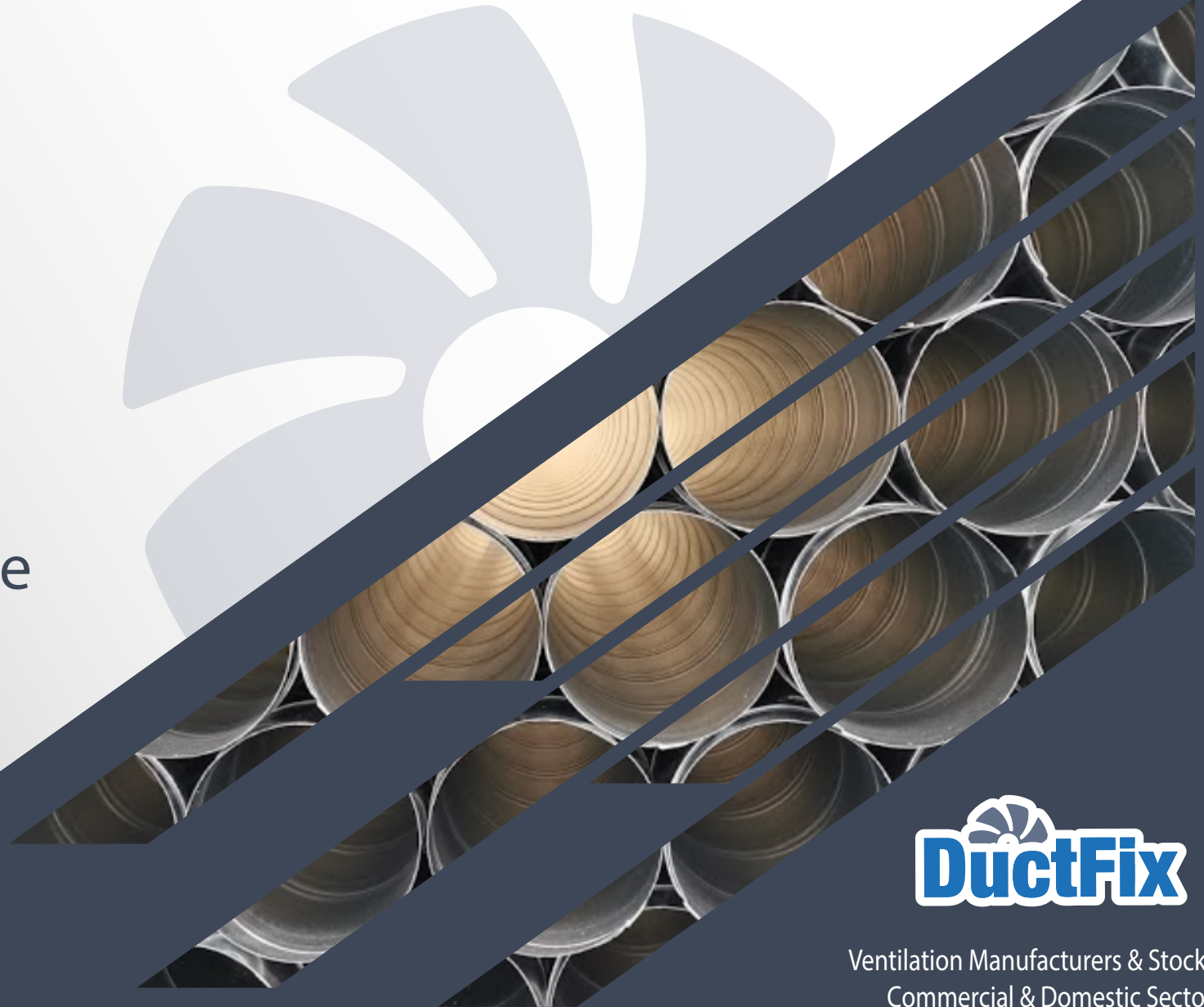


# Product Catalogue & Price List

October  
2021



Ventilation Manufacturers & Stockists  
Commercial & Domestic Sectors

[DUCTFIX.CO.UK](http://DUCTFIX.CO.UK)

# Our Service

## DuctFix is changing the way you order ventilation products ... for the better!

Here at DuctFix we have brought together quality ventilation products and combined them with the simplicity of online ordering which we are all used to in today's world. By embracing this technology DuctFix can provide the same quality products but with more cost effective service passing these savings onto you the customer.

Here are just some of the benefits of ordering via ductfix.co.uk.

- All products can be ordered on our user friendly website on desktop, tablet or smart phone.
- Account customers can order 24/7 and be invoiced monthly.
- Live stock levels showing instant availability.
- Use Ductfix.co.uk to cost projects quickly and efficiently then convert to an order at you leisure.
- Running totals calculated as you build your order.
- Allocation of your delivery when YOU want it.

This printed version of our catalogue serves as a quick guide for ease of reference or for when your internet connectivity is limited

Alongside our website we have a dedicated team of industry experienced sales personnel. For any technical information feel free to call us on 0121 559 1233 or email your enquiry to sales@ductfix.co.uk and one of our engineers will return your call.



## Same Quality Products



## Same Quality Service



## New Online Approach

---

## Contact

**Birmingham Branch**  
125 Lodgefield Road, Halesowen  
West Midlands B62 8AX  
sales@ductfix.co.uk  
0121 559 1233

**Bristol Branch**  
4E Severnside Trading Estate  
Avonmouth BS11 9YQ  
sales@ductfix.co.uk  
01179 822 722



Ducter's Directory

Ducter's Directory is a facebook support group for UK ductwork installers nationwide to share information, work/labour availability, advise, photos etc...



# Contents

1	Circular Duct and Fittings	4-7
2	Flexible Ducting	8
3	Support Systems	9-13
4	Fixing & Fastenings	14-15
5	Sealants, Gaskets, Tapes & Insulation	16
6	Access Doors	17
7	Fans & Equipment	18
8	Attenuators	19
9	Flashings	20

10	Dampers	21-23
11	Grilles & Diffusers	24
12	Louves & Plenum Boxes	25
13	Flanging System	26
14	Rectangular Ductwork	27-28
15	Plastic Ductwork	29
16	Tools, Consumables & PPE	30
17	Check List	31
18	Terms & Conditions	32

# Circular Duct & Bends



DIAMETER Ø	SPIRAL	Bend 90°	Bend 60°	Bend 45°	Bend 30°	Bend 15°	Full Radius B90
100	12.66	<i>4.33</i>	<i>4.33</i>	<i>3.44</i>	<i>3.39</i>	<i>3.82</i>	
125	15.57	<i>5.68</i>	<i>5.68</i>	<i>4.11</i>	<i>4.11</i>	<i>4.33</i>	
150	18.68	<i>7.73</i>	<i>7.73</i>	<i>5.27</i>	<i>5.27</i>	<i>6.07</i>	
160*	19.94	<i>8.29</i>	<i>8.29</i>	<i>5.62</i>	<i>5.62</i>	<i>6.47</i>	
180*	29.90	<i>11.90</i>	<i>11.90</i>	<i>7.29</i>	<i>7.29</i>	<i>8.38</i>	
200	29.90	<i>11.90</i>	<i>11.90</i>	<i>7.29</i>	<i>7.29</i>	<i>8.38</i>	
224*	37.38	13.42	13.42	9.34	9.34	<i>10.75</i>	
250	37.38	14.85	11.56	9.93	8.28	8.28	31.20
280*	44.86	23.43	17.95	15.21	12.46	12.46	36.21
300	44.86	23.43	17.95	15.21	12.46	12.46	49.20
315	47.11	25.47	19.42	16.40	13.37	13.37	53.48
355	70.77	31.29	23.62	19.77	15.93	15.93	113.69
400	79.75	38.55	28.80	23.93	19.11	19.11	81.80
450	89.71	47.49	35.14	28.97	22.80	22.80	99.74
500	99.69	57.33	42.10	34.47	26.87	26.87	126.16
560	111.64	79.14	57.64	46.90	36.15	36.15	174.12
600*	125.60	99.00	70.90	57.29	43.70	43.70	215.84
630	125.60	99.00	70.90	57.29	43.70	43.70	215.84
710	141.54	152.80	87.69	70.41	53.13	53.13	371.27
800	146.68	190.68	108.66	86.73	64.80	64.80	419.51
900	224.28	211.23	149.55	118.70	87.86	87.86	485.85
1000	249.20	257.55	181.40	143.33	105.23	105.23	643.89

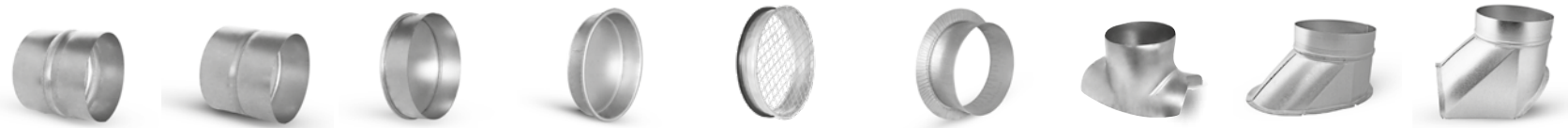
## We Manufacture

- Spiral Tube
- Circular Fittings
- Rectangular Ductwork
- Plenum Boxes
- Attenuators
- Stainless Steel Ductwork



All spiral tubes come in standard 3 metre lengths. Non standard lengths are available on request and will be charged at the metre rate. \*Diameter 160,180, 224, 280 and 600 only available to special order. All bends are fabricated apart from those in italic which are pressed.

# Circular Fittings



DIAMETER Ø	MALE COLLAR	FEMALE COLLAR	MALE CAP END	FEMALE CAP END	MESH CAP END	FLANGED SPIGOT IL	PRESSED SADDLE	FLAT SHOE	CURVED SHOE
100	1.93	1.93	1.48	1.48	2.59	1.40	2.92	8.94	9.10
125	2.06	2.06	1.93	1.93	3.37	1.55	3.47	10.23	10.57
150	2.06	2.06	2.15	2.15	3.76	1.94	5.23	11.04	12.07
160	2.06	2.06	2.15	2.15	3.76*	2.01	5.23	11.54	13.02
180	2.64	2.64	3.00	3.00	5.25*	2.36	6.92	13.29	15.59
200	2.64	2.64	3.00	3.00	4.85	2.36	6.92	13.29	15.59
224	2.78	2.78	4.21	4.21	7.37*	2.72	10.94	20.35	20.35
250	2.78	2.78	4.21	4.21	7.37	2.72	10.94	20.35	20.94
280	3.58	3.58	9.14	9.14	13.71*	3.62		27.19	28.63
300	3.58	3.58	9.14	9.14	13.71*	3.62		27.19	28.63
315	3.58	3.58	9.41	9.41	6.70	3.83		29.32	31.52
355	4.98	4.98	10.58	10.58	8.60	4.41		33.78	41.87
400	5.11	5.11	12.27	12.27	11.36	5.16		41.59	53.16
450	6.85	6.85	29.61	29.61	44.42	7.77		58.92	63.63
500	6.85	6.85	33.06	33.06	49.59	9.17		61.47	77.96
560	8.02	8.02	34.72	34.72	52.14	10.46		92.58	92.89
600	9.54	9.54	40.54	40.54	60.82	12.04		102.20	97.80
630	9.54	9.54	40.54	40.54	60.82	12.04		102.20	97.80
710	17.20	17.20	44.71	44.71	67.07	15.34		118.10	108.47
800	18.28	18.28	52.68	52.68	79.03	19.19			
900	21.59	21.59	63.12	63.12	94.68	14.21			

All goods supplied subject to conditions of sale (see inside back cover)

# Circular Fittings



DIAMETER Ø	EQUAL T-PIECE	TWIN BEND 90	TWIN BEND 45	STANDARD COWL	JET COWL	HORIZONTAL COWL	SUSPENSION RINGS	SPLIT RINGS	Single Blade Damper
100mm	7.50	26.96	19.03	25.36	82.08	20.68	2.10	2.91	7.39
125mm	9.85	31.44	20.52	28.45	85.65	20.68	2.26	3.22	8.51
150mm	10.52	34.54	21.91	29.22	92.23	21.68	2.47	3.67	8.96
160mm	12.65	35.38	22.46	32.37	92.23	21.68	3.16	3.89	11.76
180mm	19.71	56.56	33.74	32.37	125.36	29.93	3.16	3.89	11.76
200mm	16.46	47.12	28.13	42.78	104.46	24.95	3.88	4.03	9.74
224mm	26.43	63.67	52.61	42.78	134.43	29.93	3.88	4.03	11.76
250mm	22.62	53.05	43.84	54.20	112.06	24.95	4.27	4.48	11.76
280mm	36.66	101.06	61.33	62.92	182.92	39.02	4.27	4.48	15.12
300mm	31.20	84.21	51.11	71.86	152.44	32.52	4.33	4.92	15.12
315mm	32.76	84.21	52.61	85.68	152.44	34.54	5.07	6.04	17.69
355mm	37.44	103.89	58.00	92.46	161.96	38.98	5.48	6.63	34.60
400mm	44.85	120.73	65.58	95.60	175.83	46.80		8.28	35.61*
450mm	53.82	146.00	60.81	110.34	238.49	56.16		8.96	
500mm	64.61	157.50	90.05	117.85	264.96	67.70		10.52	
560mm	73.25	202.33	93.02	153.01	296.77	80.86		12.32	
600mm	84.24	266.05	127.80	153.01	333.86	96.98		12.32	
630mm	84.24	221.71	106.50	208.53	376.27	96.98		17.24	
710mm	102.96	290.68		219.96	423.97	105.69		20.83	

All goods supplied subject to conditions of sale (see inside back cover)

# Reducers - Concentric (Eccentric +50%)



DIA Ø	100	125	150	160	180	200	224	250	280	300	315	355	400	450	500	560	600	630	710	800	900					
125	1.88																									
150	2.26	2.26																								
160	2.19	2.19	3.74																							
180	4.59	4.59	4.41	4.41																						
200	3.25	3.25	3.25	2.96	3.59																					
224	6.09	7.47	7.47	5.92	5.88	6.26																				
250	6.09	6.22	6.84	3.94	5.14	3.94	6.58																			
280	25.31	26.46	25.49	25.49	24.37	8.87	23.43	6.35																		
300	26.79	26.79	23.73	23.73	22.93	8.87	23.84	6.35	23.84																	
315	26.79	26.79	23.73	23.73	22.93	6.27	23.84	6.21	23.84	21.09																
355	28.74	27.10	26.42	26.42	31.03	25.85	29.83	24.85	26.26	21.89	21.89															
400	33.74	30.49	29.52	29.52	34.81	29.03	34.81	29.01	32.74	27.28	27.19	25.07														
450		34.41	33.31	33.31	39.20	34.81	38.50	32.07	35.50	29.58	29.58	27.10	26.19													
500		35.30	35.30	35.30	41.99	38.50	41.30	34.41	38.98	32.47	32.47	29.40	27.84	27.84												
560			47.24	47.24	55.31	41.30	55.31	41.86	50.23	41.86	41.86	40.39	39.96	39.96	39.63											
600			55.91	55.91	55.31	55.31	55.31	50.23	50.23	50.23	50.21	48.42	47.95	47.95	47.67	47.67										
630			50.80	50.80	60.47	50.40	60.47	46.19	55.41	46.18	46.18	44.68	44.35	44.35	44.35	44.35	53.22									
710										84.54	80.66	80.66	80.66	80.66	76.27	76.27	86.03	86.03								
800										84.54	85.26	80.66	80.66	80.66	76.27	76.27	86.03	86.03	86.03							
900													121.35	121.35	121.35	121.35	135.27	110.29	110.92	110.92	110.92					
1000															121.35	121.35	194.93	81.22	129.31	129.31	129.31	124.35				

# Flexible Ducting



Non-insulated

Dia Ø	10m length
100	11.52
125	13.68
150	16.34
160	17.14
180	20.20
200	21.34
224	24.30
250	26.64
280	31.64
300	31.64
315	32.76
355	36.58
400	51.30
450	59.72
500	67.82
560	77.47
630*	86.07



Insulated

Dia Ø	10m length
100	32.92
125	38.26
150	40.57
160	42.64
180	44.67
200	48.31
224	56.89
250	62.01
280	72.34
300	72.34
315	75.85
355	79.25
400	113.72
450	124.06
500	143.94
560	159.33
630*	180.23



Acoustic

Dia Ø	10m length
100	35.17
125	39.29
150	43.09
160	44.93
180	50.67
200	50.67
224	63.95
250	65.43
280	76.98
300	76.98
315	85.37
355	100.24
400	113.11
450	140.26
500	192.88
560	229.48
630*	260.08



Combi

Dia Ø	10m length
100	15.08
125	17.96
150	20.66
160	22.19
180	27.00
200	27.00
224	28.76
250	35.06
280	41.94
300	41.94
315	44.78
355	51.35
400	59.22
450	59.22
500	71.28
560	89.01
630*	103.50



P.U.

Dia Ø	1m length
63	8.58
80	9.13
100	10.12
125	12.10
150	13.97
160	14.96
180	18.15
200	18.15
224	19.36
250	23.65
280	28.27
300	31.13



PVC Flex

Dia Ø	6m length
100	14.55
125	18.20
150	18.70
200	26.60
250	28.55
300	39.60
315	49.80
355	61.45
400	74.45



Alu Semi Rigid

Dia Ø	3m length
100	11.55
125	14.80
150	18.40
200	28.50
250	39.55
300	46.10
315	50.35

## Lightning Band System

Description	Price
30 Metre Coil	13.10
Locks/50 box	14.50



## Hose Clips

Dia Ø	Price Each
135mm	0.50
152mm	0.54
175mm	0.61
233mm	0.66
332mm	0.85
533mm	1.18

All goods supplied subject to conditions of sale (see inside back cover)



# Support Systems by

## Zip Clip Rize Clips



Description	Price/10
KL50 Zip-Clip Rize 0-10kg SWL	15.62
KL100 Zip-Clip Rize 10-75kg SWL	17.87
KL150 Zip-Clip Rize 75-120kg SWL	25.88
KL200 Zip-Clip Rize 120kg-230kg SWL	53.25

## Zip Clip Wire Rope



Description	Price/Roll
200m Zip-Clip KL50 Wire Rope (10kg SWL)	29.50
100m Zip-Clip KL100 Wire Rope (50kg SWL)	20.82
100m Zip-Clip KL150 Wire Rope (120kg SWL)	32.20
100m Zip-Clip KL200 Wire Rope (230kg SWL)	50.26

## Knock On Perlin Clips



Description	Price/Roll
1-5mm Perlin Clips 3mtr Wire	47.75
1-5mm Perlin Clips 5mtr Wire	52.00

## Wire Hanger



Description	Price/Roll
M6x63mm SRS Ceiling Fixing	13.16

## Zip Clip Loop-It Suspension



Description	Price / 10
1mtr Loop-It c/w KL50 (10kg SWL)	28.75
2mtr Loop-It c/w KL50 (10kg SWL)	30.63
3mtr Loop-It c/w KL50 (10kg SWL)	32.50
4mtr Loop-It c/w KL50 (10kg SWL)	34.13
5mtr Loop-It c/w KL50 (10kg SWL)	36.00
10mtr Loop-It c/w KL50 (10kg SWL)	45.25
1mtr Loop-It c/w KL100 (45kg SWL)	34.88
2mtr Loop-It c/w KL100 (45kg SWL)	37.13
3mtr Loop-It c/w KL100 (45kg SWL)	39.38
4mtr Loop-It c/w KL100 (45kg SWL)	41.63
5mtr Loop-It c/w KL100 (45kg SWL)	43.75
10mtr Loop-It c/w KL100 (45kg SWL)	55.00
1mtr Loop-It c/w KL150 (90kg SWL)	43.13
2mtr Loop-It c/w KL150 (90kg SWL)	46.75
3mtr Loop-It c/w KL150 (90kg SWL)	50.13
4mtr Loop-It c/w KL150 (90kg SWL)	53.63
5mtr Loop-It c/w KL150 (90kg SWL)	57.00
10mtr Loop-It c/w KL150 (90kg SWL)	74.50
1mtr Loop-It c/w KL200 (200kg SWL)	77.88
2mtr Loop-It c/w KL200 (200kg SWL)	86.13
3mtr Loop-It c/w KL200 (200kg SWL)	94.13
4mtr Loop-It c/w KL200 (200kg SWL)	102.00
5mtr Loop-It c/w KL200 (200kg SWL)	154.50
10mtr Loop-It c/w KL200 (200kg SWL)	210.00

## Strut Loop System



Description	Price/10
1 Mtr Strut Loop (45kg SWL)	48.75
2 Mtr Strut Loop (45kg SWL)	50.88
3 Mtr Strut Loop (45kg SWL)	53.13
4 Mtr Strut Loop (45kg SWL)	55.38
5 Mtr Strut Loop (45kg SWL)	57.75
10 Mtr Strut Loop (45kg SWL)	69.00

## Zip Clip Duct Lock



Description	Price/10
Zip Clip Duct Lock (45kg SWL)	49.00

## Zip Clip Uni Lock



Description	Price/10
3mtr Zip Clip Uni Lock (45kg SWL)	41.25

## Wire Accessories

Description	Price Each
Heavy Duty Wire Cutter	35.55
Tensioning Tool	133.12
Plastic Sleeving 100m x 3mm	48.37
Corner Saddles (Qty 10)	1.88

# Channel Support Systems

## Channel - Pre-galvanised



Size	Price	length
(Slotted) 41 x 21 x 1.6mm	12.32	3m
(Slotted) 41 x 41 x 1.6mm	29.85	5m
(Slotted) 41 x 41 x 1.6mm	15.14	3m
(Plain) 41 x 21 x 2.5mm	33.53	5m
(Plain) 41 x 21 x 2.5mm	16.78	3m
(Plain) 41 x 41 x 2.5mm	46.95	5m
(Plain) 41 x 41 x 2.5mm	23.49	3m
(Slotted) 41 x 21 x 2.5mm	33.53	5m
(Slotted) 41 x 21 x 2.5mm	16.78	3m
(Slotted) 41 x 41 x 2.5mm	46.95	5m
(Slotted) 41 x 41 x 2.5mm	23.49	3m
(Plain) 41 x 41 x 2.5mm x 2	51.98	3m

## Channel Slide Nuts



Description	Price/100
M6 (No spring)	11.28
M8 (No spring)	12.12
M10 (No spring)	14.28
M12 (No spring)	14.64
S-M6 (Short spring)	14.64
S-M8 (Short spring)	14.88
S-M10 (Short spring)	15.48
S-M12 (Short spring)	16.32

## Flexi Foot Strut Support



Description	Price/Roll
250mm	12.48
400mm	12.72
600mm	25.92
1000mm	47.16

## Foot Strut Channel Kit 110x110



Description	Price/Roll
250mm (2 Feet)	10.44
450mm (2 Feet)	11.52
650mm (3 Feet)	18.24

## H-Frame Foot Strut



Description	Price/Roll
350mm Foot 41x41 (Individual)	20.88
350mm Foot 41x41 Kit Pair (Inc Nuts, Bolts & Cleats)	45.48
350mm Foot 41 Back to Back (Individual)	25.08
500mm Foot 41x41 (Individual)	52.44

## Slotted Punch Banding



Description	Price/100
25mm wide x 0.90mm thick x 25 metres	9.66

## Plate Washers 40x40x3mm



Size	Price/100
M6 Hole	11.76
M8 Hole	11.76
M10 Hole	11.76
M12 Hole	11.76

## Top Plates

Size	Price/100
M6 Hole	18.96
M8 Hole	18.96
M10 Hole	18.96
M12 Hole	18.96

## Studding



Threaded Rod	Price/3mtr
M6	2.34
M8	2.46
M10	3.12
M12	5.58

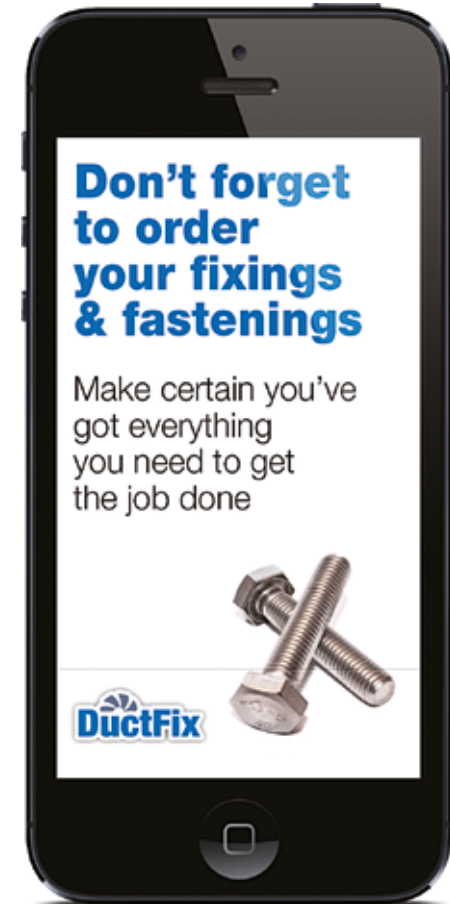
# Support Systems

## Support Channel Fittings & Brackets



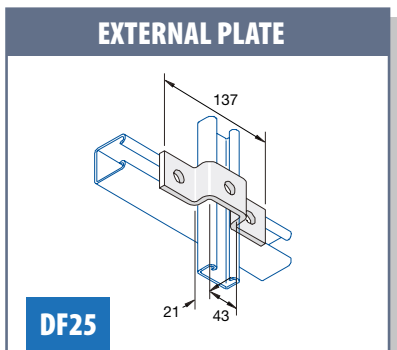
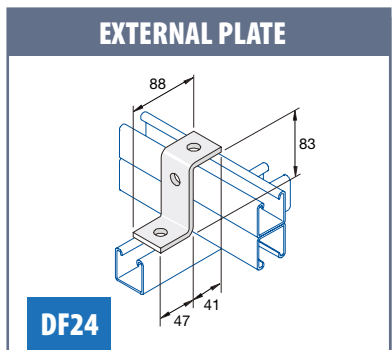
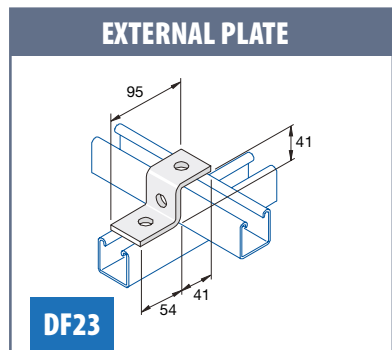
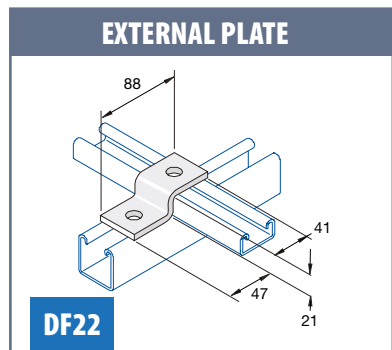
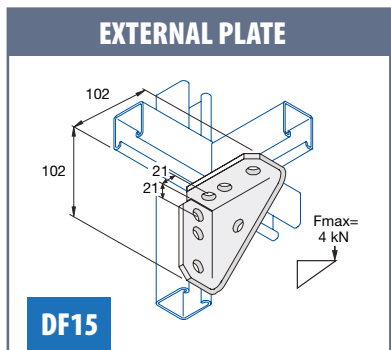
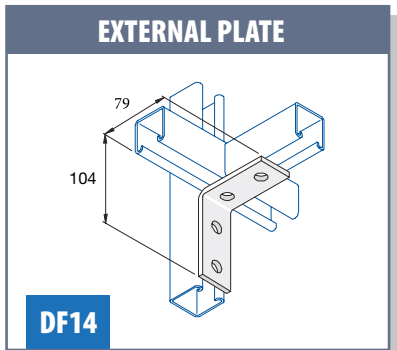
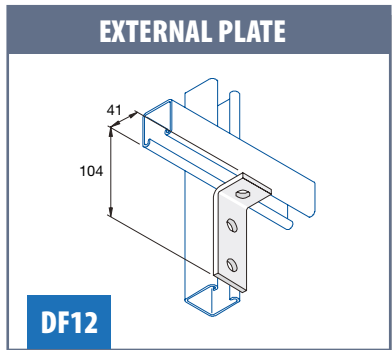
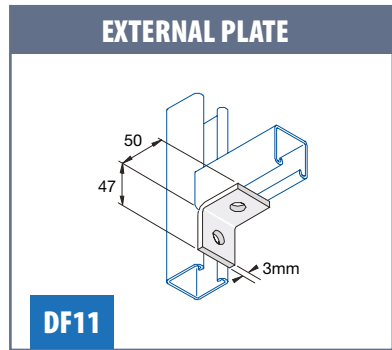
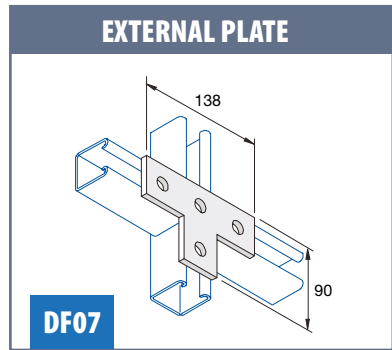
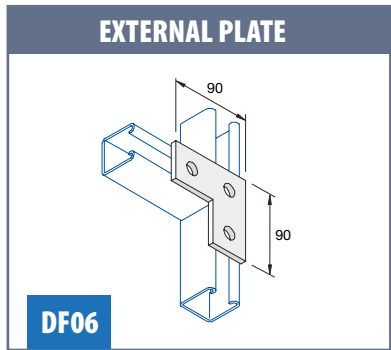
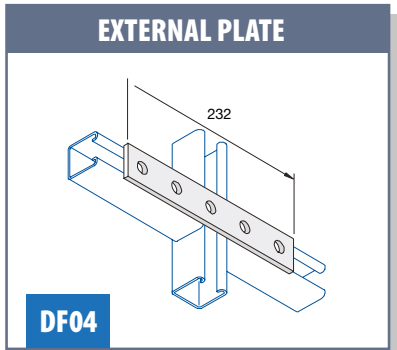
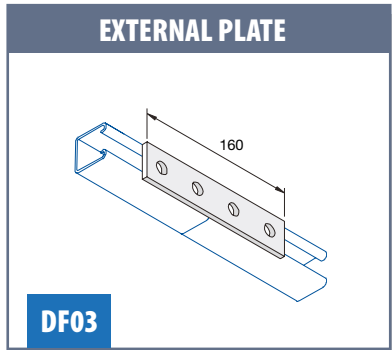
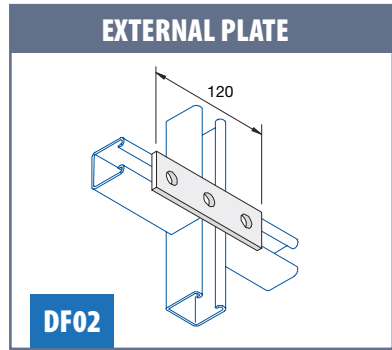
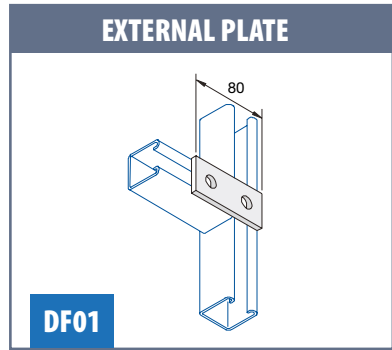
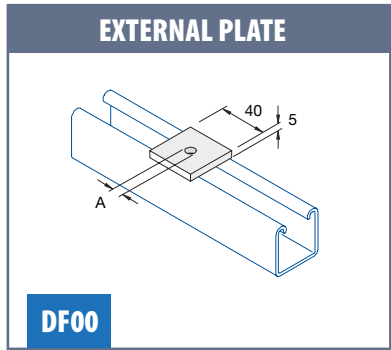
Description	Price
DF00/M6 (Clearance hole for M6)	0.12
DF00/M8 (Clearance hole for M8)	0.12
DF00/M10 (Clearance hole for M10)	0.12
DF00/M12 (Clearance hole for M12)	0.12
DF01 Two Hole Channel Flat Plate	0.54
DF02 Three Hole Channel Flat Plate	0.66
DF03 Four Hole Channel Flat Plate	0.90
DF04 Five Hole Channel Flat Plate	1.08
DF06 90° Flat Plate	1.02
DF07 Flat Tee	1.14
DF11 1 x 1 Hole 90° Angle Cleat	0.66
DF12 2 x 1 Hole 90° Angle Cleat	0.96
DF14 2 x 2 Hole 90° Angle Cleat	1.02
DF15 2 x 2 Hole 90° Gusset Angle Cleat	1.68
DF22 21mm Step 'Z' Bracket	0.66
DF23 41mm Step 'Z' Bracket	0.78
DF24 82mm Step 'Z' Bracket	1.44
DF25 21mm Top Hat 'U' Bracket	0.90
DF26 41mm Top hat 'U' Bracket	1.26
DF29-30° Obtuse Angle 2 x 2 Hole	1.02
DF29-45° Obtuse Angle 2 x 2 Hole	1.02
DF29-60° Obtuse Angle 2 x 2 Hole	1.02
DF31-30° Acute Angle 1 x 1 Hole	1.32
DF31-45° Acute Angle 1 x 1 Hole	1.32
DF31-60° Acute Angle 1 x 1 Hole	1.32

Description	Price
DF33 41x41 Channel Coupler	4.14
DF37 Double Channel Base Plate	6.84
DF38 Double Fix Base Plate	2.22
DF44 Tapped Beam Clamp	1.92
DF45/82 82x21 Window Bracket	3.18
DF45/41 41x41 Window Bracket	1.44
DF45/21 41x21 Window Bracket	1.32
DF48 Top Beam Clamps	0.72
DF90/8 (Clearance hole for M6) Flange Clamp	1.50
DF90/8 (Clearance hole for M8) Flange Clamp	1.56
DF90/10 (Clearance hole for M10) Flange Clamp	1.62
DF90/12 (Clearance hole for M12) Flange Clamp	2.64
DF91 (Clearance hole for M10) Perlin Clamp / Clip	0.48
DF40/300 (Cantilever Arm-Universal)	4.68
DF40/450 (Cantilever Arm-Universal)	7.32
DF40/600 (Cantilever Arm-Universal)	8.52
DF40/900 (Cantilever Arm-Universal)	12.60
PVC Channel End Cap 41 x 21 White/Black	0.18
PVC Channel End Cap 41 x 41 White/Black	0.18

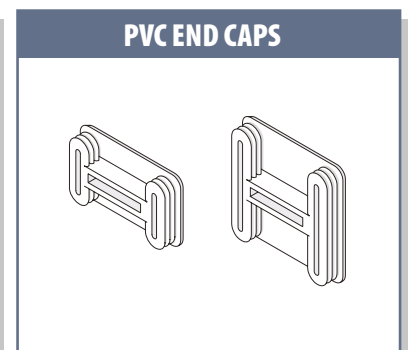
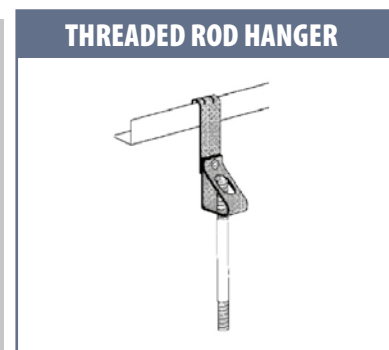
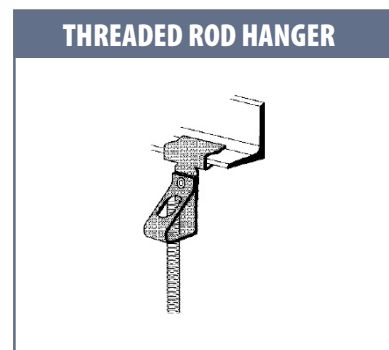
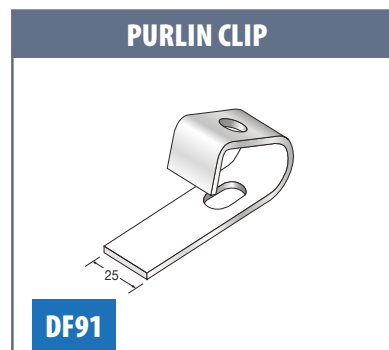
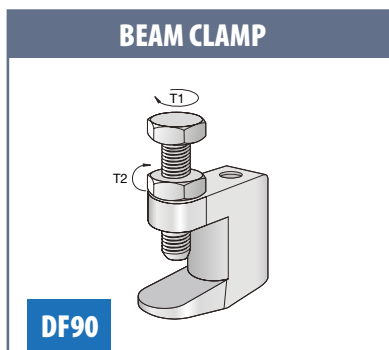
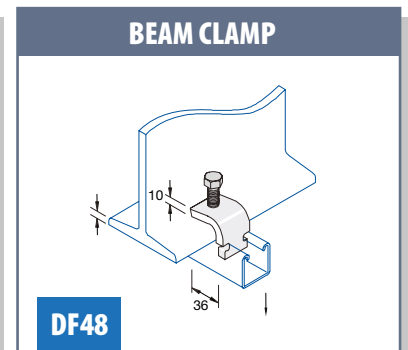
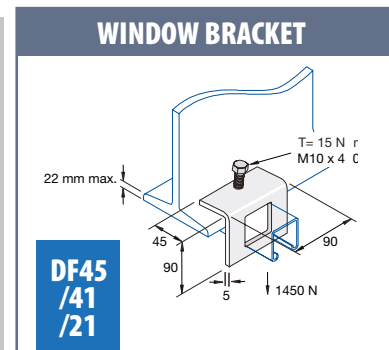
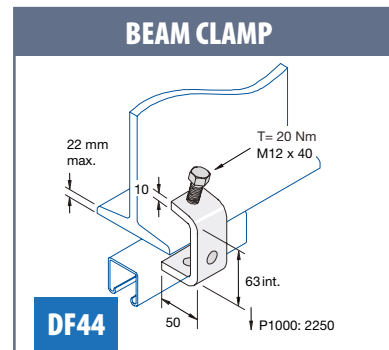
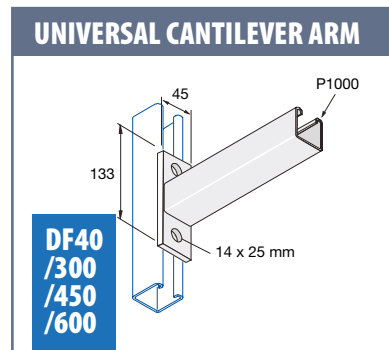
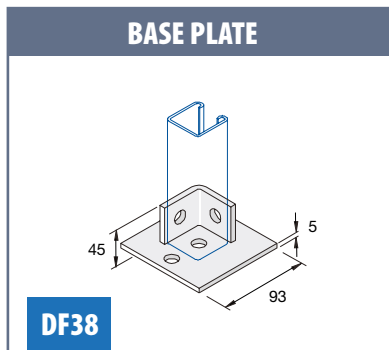
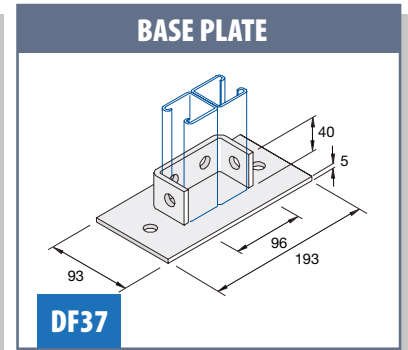
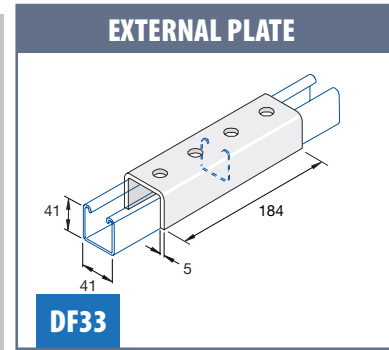
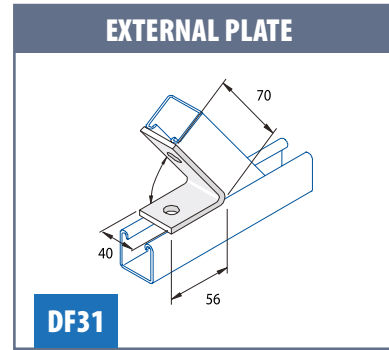
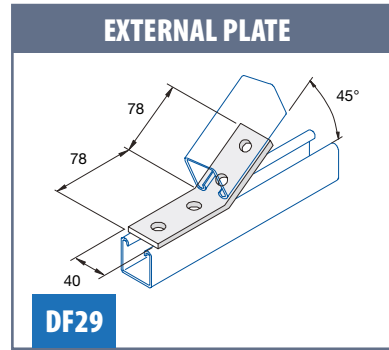
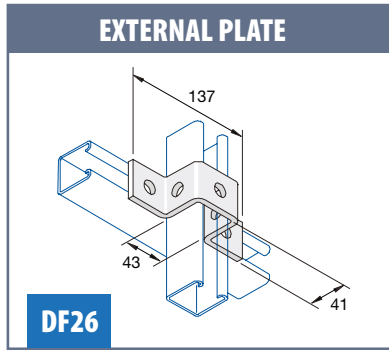


All goods supplied subject to conditions of sale (see inside back cover)

# Support Systems



# Support Systems



# Fixings & Fastenings

## Screws, Nuts, Bolts & Rivets

Hexagon Head Set Screws (8.8HT)	
Size	Price/100
M6 x 20. Zinc-plated	2.56
M6 x 25. Zinc-plated	3.78
M6 x 30. Zinc-plated	4.01
M6 x 35. Zinc-plated	4.58
M6 x 40. Zinc-plated	6.56
M8 x 20. Zinc-plated	5.22
M8x 25. Zinc-plated	6.18
M8 x 30. Zinc-plated	7.52
M8 x 35. Zinc-plated	8.14
M8 x 40. Zinc-plated	9.50
M10 x 20. Zinc-plated	9.02
M10 x 25. Zinc-plated	7.88
M10 x 30. Zinc-plated	11.82
M10 x 35. Zinc-plated	14.44
M10 x 40. Zinc-plated	14.44
M12 x 20. Zinc-plated	14.98
M12 x 25. Zinc-plated	16.05
M12 x 30. Zinc-plated	17.08
M12 x 35. Zinc-plated	18.54
M12 x 40. Zinc-plated	18.40

Hex Nuts	
Size	Price/100
M6 Zinc-plated	0.80
M8 Zinc-plated	1.58
M10 Zinc-plated	3.00
M12 Zinc-plated	4.84

Roofing Nuts & Bolts	
Size	Price/100
M6 x 20. Zinc-plated	25.20
M8x 20. Zinc-plated	28.80
M10 x 20. Zinc-plated	34.80

Rivets	
Size	Price
2 x 8 Box 1000	17.40
3.2 x 11 Box 1000	21.36
4.0 x 10 Bx 1000	22.44
4.0 x 13 Box 1000	27.60
4.8 x 10 Box 500	13.56
4.8 x 15 Box 500	17.40
4.8 x 18 Box 500	21.96
4.8 x 25 Box 500	37.20

Fully sealed aluminium rivets with steel mandrels	
Type	Price/1000
SA3210	28.56
SA4008	36.84
SA4010	42.12
SA4012	42.12
SA4810	44.88
SA4812	48.48
SA4814	50.64
SA4818	78.60

All Steel Rivets	
Size	Price/500
4.0 x 12	14.76
4.0 x 16	16.68
4.8 x 12	21.72
4.8 x 16	30.36

Boss Plates	
Size	Price/Each
M6 Female	0.72
M8 Female	0.84
M10 Female	0.96
M12 Female	1.08

# Fixings & Fastenings

## Screws, Nuts, Bolts & Rivets

Self-Drilling Screws (Tec Screws)	Price
Pro-Point type for fixing 1.0 - 1.6mm sheet.	
Size	Price/1000
CL-VRD 4.2x13	11.40
CL-VRD 4.2x19	15.48
CL-VRD 4.8x19	23.28

Coach Screws	Price
Size	Price/10
M6 x 30	2.34
M6 x 40	2.46
M6 x 50	2.88
M6 x 65	4.32
M6 x 75	8.04
M8 x 50	8.64
M8 x 75	6.72
M8 x 100	7.86
M8 x 120	8.28
M10 x 50	9.00
M10 x 75	12.48
M10 x 100	13.32
M10 x 130	14.76
M10 x 150	16.20

Penny Washers	Price
Size	Price/100
M6 x 25. o/d. Zinc-plated	2.88
M8 x 25. o/d. Zinc-plated	2.88
M10 x 25 o/d Zinc-plated	2.88
M12 x 25. o/d. Zinc-plated	2.88

Drop In / Non Drill Anchors	Price
Size	Price/100
M6	13.99
M8	17.03
M10	20.04
M12	22.66

Sleeve Anchors	Price
Size	Price/10
M8 x 60mm	4.56
M8 x 85mm	6.54
M8 x 110mm	7.20
M10 x 60mm	6.54
M10 x 85mm	8.88
M10 x 110mm	9.96
M12 x 60mm	10.68
M12 x 85mm	14.16
M12 x 110mm	15.66



# Sealants, Gaskets, Tapes & Insulation

## Tapes & Gaskets

Description	Price
Aluminium Foil Tape 50mm x 45m	4.92
Aluminium Foil Tape 75mm x 45m	7.20
Aluminium Foil Tape 100mm x 45m	9.60
PVC Duct Tape 50mm x 33mtr	4.38
Cloth Duct Tape 50mm x 50mtr	4.14
Self Adhesive Flange Gasket Tape 20mm x 6mm x 15mtr	2.34
Self Adhesive Flange Gasket Tape 25mm x 6mm x 15mtr	2.82
Arboseal Intumescent Fire Resistant Tape, 15mm x 3mm x 12M	10.56

## Insulation & Acoustic

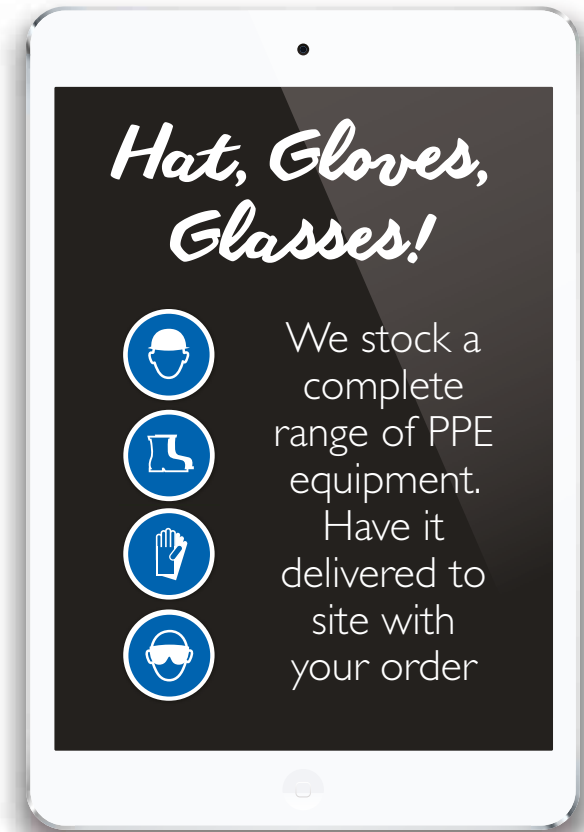
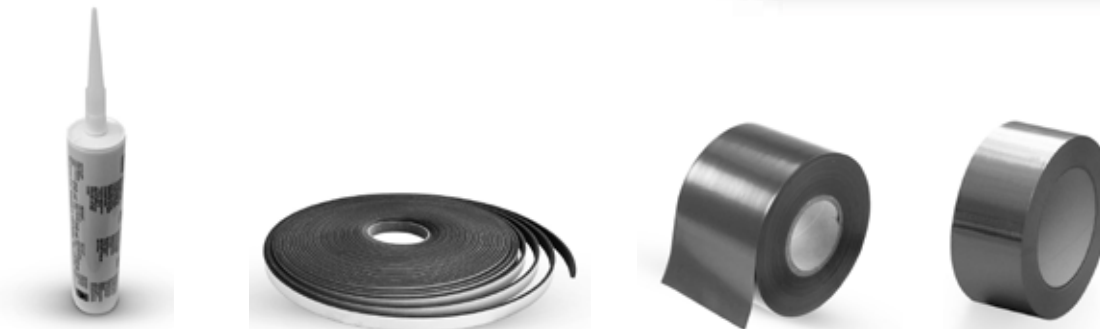
Description	Price
Ductwrap 25mm x 1.2mtr x 18mtr	73.80
Ductwrap 25mm x 1.2mtr x 13mtr	58.20
Ductwrap 40mm x 1.2mtr x 12mtr	77.64
Ductwrap 50mm x 1.2mtr x 9mtr	67.44
6mm x 2mtr x 1mtr Self Adhesive Sheets	15.60
12mm x 2mtr x 1mtr Self Adhesive Sheets	19.80
25mm x 2mtr x 1mtr Self Adhesive Sheets	17.28
50mm x 2mtr x 1mtr Self Adhesive Sheets	55.68
Phenolic Strip Flat 25mm x 50mm x 1m (Box/36)	69.24
Phenolic Strip Flat 38mm x 50mm x 1m (Box/30)	78.24
Phenolic Strip Flexible 25mm x 50mm x 1m (Box/36)	126.36
Phenolic Strip Flexible 25mm x 50mm x 1m (Box/36)	122.52

## Sealants

Description	Price
Solvent Free Duct Seal 310ml	2.70
Rapid Cure Solvent Ductseal 380ml	4.68
Clear Silicone 310ml	4.74
Intumescent Sealant	4.74

## Ancillaries

Description	Price
Spray Can Adhesive	4.56
62mm Stick Pins & Hangers (per 100)	27.12
110mm Stick Pins & Hangers (per 100)	33.00
Triangle Ductwork Identification Labels (5 per sheet)	2.04



All goods supplied subject to conditions of sale (see inside back cover)



# Access Doors

## Tabbed Doors



Door Size O/D	Price
100x100	9.63
150x100	9.75
150x150	10.00
200x200	11.87
250x250	13.12
300x150	13.63
300x200	13.87
300x300	14.63
350x350	17.87
400x200	16.12
400x300	17.87
400x400	18.25
450x300	18.37
450x450	19.25
500x500	22.87
600x300	29.87
600x400	30.12
600x450	31.12
600x600	32.00

## Access Door c/w Saddle

Door Size O/D	Price
100x100	21.62
150x100	22.00
150x150	22.50
200x200	26.75
250x250	23.00
300x150	30.63
300x200	31.25
300x300	32.87
350x350	40.25
400x200	36.37
400x300	40.25
400x400	41.12
450x300	41.37
450x450	43.37
500x500	51.50
600x300	67.25
600x400	67.88
600x450	70.12
600x600	72.00

## Curved Doors



Type	Description	Price
Type A (180x 80)	Duct Dia Range 100-125mm	5.75
Type B (250x150)	Duct Dia Range 150-500mm	8.68
Type C (300x200)	Duct Dia Range 560-800mm	9.43
Type D (400x300)	Duct Dia Range 560-800mm	15.18

## High Pressure Doors



Type	Description	Price
AP1	233 x 143	16.00
AP2	362 x 227	20.50
AP3	494 x 354	39.50
AP4	647 x 496	71.50

Additional latches and support chains available.  
Non standard sizes available on request

## Fire Rated Access Doors



Door Size	Price
200x200	39.00
300x300	43.00
350x350	49.00
400x400	56.00
450x450	62.00

## Curved Door Safety Edging

Size	Price
7x5mm x 1mtr	2.43

# Fans & Equipment

## Inline Tube Fans



DIAMETER Ø	PRICE
100mm	59.00
125mm	62.00
150mm	64.00
200mm	98.00
250mm	110.00
315mm	134.00

## Short Cased Axials 4 Pole/1Ph



DIAMETER Ø	PRICE
250	237.00
315	284.00
355	294.00
400	338.00
450	420.00
500	472.00
560	689.00

## Twin Impeller Axials 4 Pole/1Ph



DIAMETER Ø	PRICE
450	827.00
500	833.00
560	973.00
630	1,133.00

## Ancillary Packs

Inc AVs, Rings, Feet & Flexes



DIAMETER Ø	PRICE
400	111.00
450	125.00
500	136.00
560	150.00
630	162.00

## Plate Fans

4 Pole/1 Ph



DIAMETER Ø	PRICE
250	101.00
315	127.00
355	138.00
400	141.00
450	165.00
500	238.00
560	321.00
630	330.00

## Long Cased Axials 4 Pole/1Ph



DIAMETER Ø	PRICE
400	413.00
450	472.00
500	510.00
560	609.00
630	642.00

## Electric Heater Batteries



DIAMETER Ø	kW	Phase	PRICE
100	0.6	1	102.00
125	1.2	1	131.00
150	2.7	1	165.00
200	3.0	1	186.00
250	3.0	1	205.00
315	3.0	1	212.00
315	4.5	1	311.00
315	9.0	3	311.00
355	9.0	3	354.00
400	9.0	3	348.00
400	12.0	3	387.00

- Kitchen canopy Systems
- Air Conditioning Units
- Cooling Towers
- Sports Halls
- Factories
- Warehousing
- Agriculture
- Schools
- Hotels
- Unsure which fan you require...? Let DuctFix select a fan appropriate for your system

All goods supplied subject to conditions of sale (see inside back cover)

# Attenuators



DuctFix not only stock a large range of circular attenuators but alongside **AVE-NTA** Acoustics design and manufacture rectangular and circular attenuators for all sectors of the industry to the specific requirements of Acoustical Consultants, Consulting Engineers and Ventilation Contractors.

## Circular Flanged Attenuators



Dia Ø	1D	2D	1D Podded	2D Podded
355	163.75	197.50	240.00	296.25
400	202.50	245.00	266.25	368.75
450	208.75	252.00	308.75	388.75
500	235.00	327.50	352.50	468.75
560	265.00	427.50	397.50	592.50
630	308.75	502.50	445.00	668.75
710	350.00	541.25	601.25	922.50
800	432.25	775.00	657.50	1,173.75
900	631.25	970.00	922.50	1,415.00
1000	683.75	1,203.75	1,010.00	1,706.25

## Circular Spigotted Attenuators



Dia Ø	300L	600L	900L	1200L
100	25.00	31.25	41.25	56.25
125	31.25	35.00	43.75	60.00
150	33.75	36.25	48.75	67.50
200	40.00	41.25	58.75	84.50
250	48.75	53.75	76.25	110.50
315	60.00	66.25	81.25	115.00
355	70.00	77.50	93.75	132.50
400	81.25	96.25	108.75	152.50
450	93.75	120.00	126.25	176.25
500	108.75	150.00	170.00	220.00
560	124.20	172.00	195.50	253.00
630	142.80	197.80	224.80	290.90

## Matching Flange Rings



Dia Ø	Price Each
355	25.30
400	26.45
450	31.05
500	33.35
560	34.50
630	37.95
710	40.25
800	62.10
900	71.30
1000	81.65



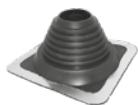
Prices for rectangular attenuators available on request. Call 0121 559 1233

All goods supplied subject to conditions of sale (see inside back cover)

# Flashing Systems

## Masterflash - EDPM

BLACK -50°C - 115°C



Pipe Ø	Price
76-152	15.36
102-178	18.90
127-228	22.92
152-280	45.84
178-330	50.71
254-467	74.17
330-660	210.68

## Masterflash - Silicone

RED -74°C - 260°C



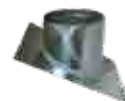
Pipe Ø	Price
76-152	23.04
102-178	32.08
127-228	34.27
152-280	69.02
178-330	77.00
254-467	105.22
330-660	331.72

## Strip Flashings



Size	Type	Price
100mm x 10mtr	Flash Banding Roll	10.80
150mm x 10mtr	Flash Banding Roll	13.92
225mm x 10mtr	Flash Banding Roll	21.72
150mm x 5mtr	Aluflash Flashing Roll	47.28
250mm x 5mtr	Aluflash Flashing Roll	75.72
300mm x 5mtr	Aluflash Flashing Roll	92.88

## Circular Pitched Roof Plates



Pipe Ø	Price
355	36.60
400	44.16
450	53.52
500	63.60
560	86.52
630	104.52
710	119.28

## Storm Collars



Pipe Ø	Price
100	19.20
125	22.68
150	23.04
200	24.48
250	26.88
300	27.72
315	28.20
355	29.76
400	33.72
450	40.56
500	44.40
560	47.04
630	87.24
710	95.64

## Fixing Kits

Type	Price
SK1	8.78
SK2	21.14

# Dampers - Volume Control



## Additional Pricing

Multiple units (max width 2000mm).....	x1.2
Stainless Steel Blades.....	x1.2
Aluminium Blades.....	x1.2
Extended Spindle Kit.....	12.00
Conversion Kit Bare Shaft to Handle .....	12.00

mm	100	150	200	250	300	350	400	450	500	550	600	650	700	750	800	850	900	950	1000
100	29.47	30.91	30.91	32.32	33.72	35.15	36.59	36.59	37.99	39.14	40.82	40.82	42.26	42.26	43.66	43.66	45.08	47.91	47.91
150	33.72	33.72	35.15	36.59	37.99	37.99	39.41	40.82	40.82	42.26	43.66	43.66	43.66	45.08	47.91	47.91	50.76	50.76	52.18
200	36.59	37.99	37.99	40.82	40.82	42.26	42.26	43.66	43.66	45.08	47.91	47.91	50.76	50.76	52.18	52.18	53.59	53.59	55.00
250	40.82	40.82	40.82	40.82	43.66	45.08	45.08	47.91	47.91	49.32	50.76	52.18	53.59	53.59	55.00	55.00	56.44	56.44	57.85
300	43.66	43.66	45.08	47.91	47.91	47.91	49.32	52.18	52.18	53.59	53.59	55.00	56.44	56.44	57.85	60.68	60.68	60.68	63.51
350	47.91	47.91	49.32	50.76	52.18	53.59	53.59	55.00	56.44	56.44	57.85	57.85	60.68	60.68	63.51	64.94	64.94	66.36	67.77
400	52.18	52.18	53.59	55.00	55.00	56.44	57.85	57.85	60.68	60.68	63.51	64.94	64.94	66.36	67.77	67.77	69.19	69.19	69.19
450	55.00	55.00	56.44	57.85	57.85	60.68	60.68	63.51	63.51	66.36	66.36	67.77	69.19	69.19	69.19	72.03	72.03	73.42	74.86
500	57.85	57.85	60.68	60.68	63.51	64.94	66.36	67.77	67.77	69.19	69.19	69.19	72.02	73.42	74.86	74.86	77.70	79.12	79.12
550	63.51	63.51	64.94	66.36	66.36	67.77	69.19	69.19	72.02	73.42	73.42	74.86	77.70	79.12	79.12	79.12	83.37	86.19	86.19
600	66.36	66.36	67.77	69.19	69.19	72.02	73.42	73.42	74.86	77.70	79.12	79.12	83.37	86.19	86.19	87.64	89.05	90.47	91.87
650	69.19	69.19	72.02	73.42	74.86	77.70	79.12	79.12	79.12	79.12	89.55	87.64	87.64	89.05	91.87	93.31	94.72	96.10	98.96
700	72.02	73.42	74.86	77.70	79.12	79.12	83.37	84.79	86.19	87.64	89.05	90.47	91.87	93.31	96.10	98.96	100.38	100.38	106.06
750	74.86	77.70	79.12	79.12	83.37	86.19	87.64	89.05	90.47	91.87	93.31	94.72	96.10	100.38	100.38	106.06	107.48	108.89	110.30
800	79.12	79.12	83.37	84.79	87.64	87.64	90.47	93.31	96.10	98.96	100.38	100.38	106.06	107.48	108.89	110.30	111.73	114.57	118.84
850	83.37	86.19	89.05	90.47	91.87	91.87	96.10	98.96	100.38	100.38	106.06	107.48	108.89	111.73	114.57	115.99	120.25	120.25	121.66
900	87.64	89.05	90.47	93.31	96.10	97.55	100.38	100.38	106.06	107.48	110.30	111.73	115.99	118.84	120.25	121.36	124.48	125.92	130.17
950	90.47	91.87	94.72	96.10	100.38	100.38	106.06	107.21	110.30	111.73	115.99	118.84	120.25	121.66	124.48	127.33	130.17	133.02	134.43
1000	93.31	96.10	98.96	100.38	101.80	107.48	108.89	111.73	114.57	118.84	120.25	121.66	125.92	127.33	131.58	133.02	137.25	138.67	141.52

All goods supplied subject to conditions of sale (see inside back cover)

# Dampers - Circular VCD & Fire

## Circular Multi Dampers



Dia Ø	PRICE
100	36.51
125	40.20
150	41.10
200	44.54
224	51.40
250	51.40
300	58.12
315	60.81
355	62.94
400	67.87
450	74.14
500	81.76
560	88.14
600	94.86
630	102.03

## Circular Fire Dampers



Dia Ø	PRICE
100	56.11
125	57.00
150	57.45
200	59.02
224	61.37
250	62.94
300	64.96
315	71.57
355	73.13
400	76.72
450	81.87
500	92.40
560	101.24
600	113.34
630	121.07
710	132.94

## Single Blade Dampers



Dia Ø	PRICE
100	7.39
125	8.51
150	8.96
200	9.74
224	11.76
250	11.76
300	15.12
315	17.69
355	34.60
400	35.61*

## Blast Gate Dampers



Dia Ø	PRICE
63	16.38
80	16.66
100	20.30
125	25.62
150	31.08
160	39.62
180	43.96
200	52.36
224	62.16
250	77.42
300	104.30
315	160.58
355	200.76
400	299.60

## Back Draft Dampers



Dia Ø	PRICE
100	3.80
125	4.92
150	5.71
200	7.84
250	12.65
300	15.45
315	15.45

## Single Blade Fire Dampers



Dia Ø	PRICE
100	58.30
125	60.37
150	63.48
200	72.45
250	82.57
315	98.67

## Additional Information

For additional information and data sheets for any of the above products please visit [www.ductfix.co.uk/datasheets](http://www.ductfix.co.uk/datasheets)



# Dampers - Fire



Rectangular fire dampers manufactured from corrosion resistant galvanised steel, with blades outside airstream. Rectangular spigot, high velocity.

## Additional Pricing

Replacement Flat Bar Fusible Link 72°C .....	2.75
Easy Maintenance Link 72°C.....	4.13
Mechanical Visual Position Indicator.....	5.50
For Grade 430 Stainless Steel Blades & Casing .....	x 2
Pull Rings.....	0.34

mm	100	150	200	250	300	350	400	450	500	550	600	650	700	750	800	850	900	950	1000
100	54.51	54.51	54.51	57.84	57.84	57.84	62.84	71.18	71.18	72.86	72.86	76.20	76.20	87.87	87.87	89.55	89.55	96.21	97.88
150	54.51	56.19	56.19	62.84	62.84	62.84	67.76	72.86	72.86	72.86	76.20	79.53	79.53	89.55	89.55	89.55	91.21	96.21	97.88
200	56.19	56.19	56.19	62.84	62.84	67.86	67.86	72.86	72.86	76.20	76.20	79.53	79.53	89.55	89.55	91.21	91.21	96.21	97.88
250	56.19	57.84	57.84	62.84	62.84	67.86	69.52	76.20	76.20	79.53	79.53	84.54	84.54	89.55	89.55	91.21	91.21	97.88	99.55
300	56.19	57.84	57.84	62.84	62.84	67.86	69.52	76.20	76.20	79.53	79.53	84.54	84.54	91.21	91.21	91.21	91.21	97.88	99.55
350	56.19	57.84	62.84	69.52	71.18	76.20	84.54	84.54	84.54	86.20	87.87	96.21	96.21	97.88	97.88	102.89	102.89	106.23	106.23
400	57.84	62.84	62.84	69.52	71.18	79.53	79.53	87.87	87.87	89.55	91.21	99.55	102.89	102.89	102.89	109.56	109.56	111.22	111.22
450	67.86	69.52	69.52	72.86	76.20	87.87	87.87	89.55	89.55	97.88	99.55	102.89	102.89	109.56	109.56	111.22	111.22	122.90	126.25
500	69.52	71.18	71.18	76.20	79.53	89.55	91.21	96.21	96.21	102.89	102.89	106.23	106.23	111.22	111.22	117.91	121.25	134.59	134.59
550	84.54	86.20	86.20	87.96	87.96	89.55	91.21	96.21	102.89	106.23	106.23	111.22	111.22	114.57	122.90	127.91	134.59	141.27	142.93
600	86.20	87.96	87.96	87.96	87.96	89.55	91.21	96.21	102.89	106.23	106.23	111.22	111.22	122.90	126.25	141.27	141.27	144.60	144.60
650	87.96	89.25	89.25	89.25	89.25	97.88	99.55	102.89	106.23	109.56	111.22	117.91	122.90	136.25	141.27	144.60	144.60	154.61	157.95
700	89.55	91.21	91.21	91.21	91.21	99.55	99.55	106.23	109.56	109.56	114.57	122.90	126.25	142.93	144.60	149.62	152.94	159.62	161.29
750	91.21	96.21	96.21	99.55	99.55	102.89	102.89	109.56	111.22	117.91	122.90	127.91	136.25	142.93	155.17	157.95	157.95	161.29	166.29
800	91.21	96.21	96.21	99.55	102.89	102.89	102.89	109.56	111.22	117.91	126.25	136.25	141.27	142.93	144.60	151.81	157.95	162.96	169.63
850	87.88	99.55	102.89	102.89	102.89	109.56	109.56	121.22	117.91	127.91	134.59	142.93	144.60	144.60	154.61	159.62	162.96	169.63	176.29
900	99.55	102.89	102.89	102.89	102.89	109.56	109.56	117.91	121.25	134.59	136.25	144.60	149.62	149.62	157.95	161.29	166.29	171.30	179.63
950	102.89	106.23	106.23	109.56	109.56	111.22	111.22	126.25	134.59	142.93	144.60	154.61	157.95	161.29	166.29	169.63	171.28	182.98	189.64
1000	106.23	106.23	106.23	111.22	111.22	111.22	114.57	127.91	136.25	144.60	149.62	157.95	159.57	166.29	169.63	176.29	179.63	189.64	191.31

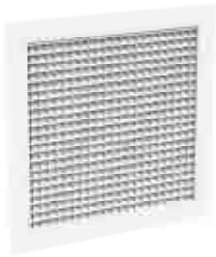
All goods supplied subject to conditions of sale (see inside back cover)

# Grilles & Diffusers



## 4 Way Diffuser (CD) Aluminium RAL9010

Face Size	Nominal Size	With Damper	W/O Damper
300mm x 300mm	150mm x 150mm	13.26	9.36
375mm x 375mm	225mm x 225mm	19.50	13.00
450mm x 450mm	300mm x 300mm	27.30	17.68
595mm x 595mm	450mm x 450mm	44.20	26.00



## Egg Crate Grille Aluminium RAL9010

Face Size	Nominal Size	Price
145mm x 145mm	100mm x 100mm	9.75
195mm x 195mm	150mm x 150mm	12.87
445mm x 445mm	400mm x 400mm	27.30
595mm x 595mm	550mm x 550mm	32.37



## Swirl Diffuser Aluminium RAL9010

Face Size	Nominal Size	Price
595mm x 595mm	254Ø	44.98
595mm x 595mm	336Ø	44.98
595mm x 595mm	440Ø	44.98
595mm x 595mm	530Ø	44.98

### Supply



### Extract



### Air Valves

Ø Dia	Price
100	5.33
125	6.65
150	9.30
200	10.92

All goods supplied subject to conditions of sale (see inside back cover)

## Drum Jet Diffusers



## Jet Flow Diffusers



## Spiral Duct Grilles



## Bar Grilles



## Swirl Diffusers



## Cone Diffusers



## Floor Grilles



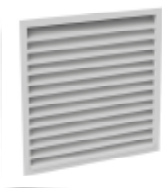
## Linear Slot Diffusers



All other grilles, diffusers and louvres available. Price on request.



# Louvres & Plenum Boxes



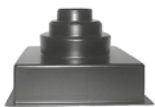
## Aluminium Louvres Mill Finish

Dimensions	Price Each
300 x 300	33.80
350 x 350	47.20
400 x 400	51.00
450 x 450	59.20
500 x 500	67.60
600 x 600	96.00



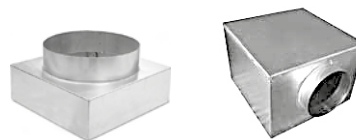
## Circular Weather Louvres

Dimensions	Price Each
100	3.26
125	4.02
150	6.30
200	9.48
250	17.00
315	29.40



Dimension	Each
450x450 Multi Spigot Plastic Grille Box 150/200/250	10.93

+ 10% ADDITION FOR SHEET METAL FLANGE  
ALL OTHER SIZES AVAILABLE ON REQUEST



## Grille/Louvre Boxes

Dimensions	TOP ENTRY	SIDE ENTRY
100x100	17.65	18.07
125x125	17.81	18.40
150x150	18.07	18.90
200x200	18.33	20.09
225x225	18.59	21.55
250x250	18.82	22.30
300x300	19.34	25.27
350x350	19.89	25.84
400x400	20.51	29.95
450x450	23.73	36.52
500x500	26.20	41.52
550x550	27.02	46.07
600x600	28.13	50.41

Larger sizes and variations available on request

## Filter Boxes



Spigot Ø	Price Each
100	42.00
125	42.00
150	42.00
200	48.00
250	53.00
315	60.00
355	83.00
400	90.00
450	105.00
500	123.00
560	131.00

Larger sizes available on request

## Fan Coil Unit / Bespoke Plenums

We manufacture all types of plenums to suit all types of grilles, louvres and fan units from fully lined to liner bar grilles. Prices available on request



# Premium Flange System

Flange	5mtr	Corners	Box
20mm	7.33	20mm Short (500)	85.00
30mm	9.15	20mm Long (500)	116.60
40mm	16.88	30mm Short (250)	97.28
		40mm Short (150)	148.92

Description	Each
Turning Vane 3mtr	7.01
Mounting Track 3mtr	6.73
30mm Stiffening Bar x 5m	22.10
Bolt on Flange Clamps (300)	42.00



# Excel Flange – XL90S

Premium quality EXCEL Flange XL90S comes with integral sealant which curtails seepages significantly. Integral sealant helps flange cling to the duct body tightly, providing firmness and stability thereby creating an effective barrier against any pressure loss.



## Go Green

Air leakage is a major factor in wasted energy. Developed to reduce leakage, our slide on flange contains a permanently elastic heat resistant seal between sheet metal ductwork and the flanging system.



## Strength Through Design

Together with our customers and leading companies in the ventilation industry the EXCEL Flanging System stands out for its rigidity and performance in the manufacturing and assembly of ductwork and other ventilation components.



## The Answer

Developed to produce an air tight seal with ease of assembly and combined with superior rigor is what makes the EXCEL slide on flange the choice of the quality ductwork fabricator.



# Rectangular Ductwork Prices

All Low Velocity. Lengths of set, reducers and square to rounds are based on the longest side (600mm Max)

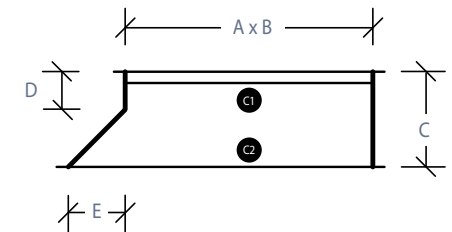
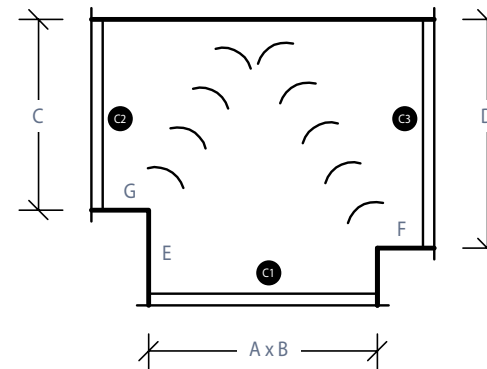
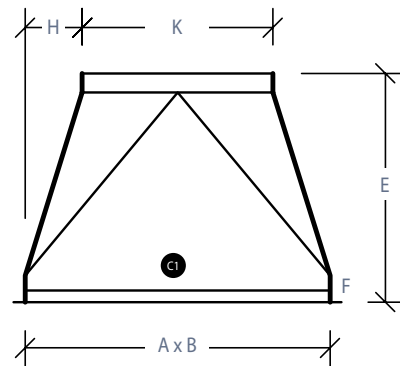
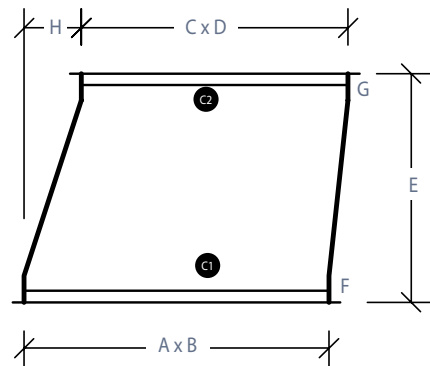
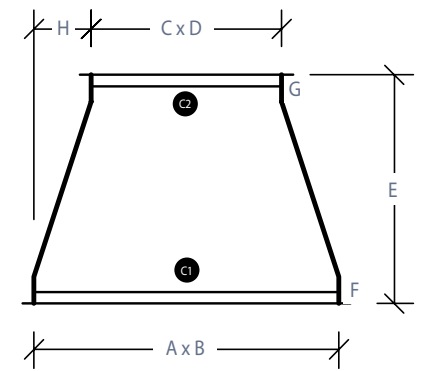
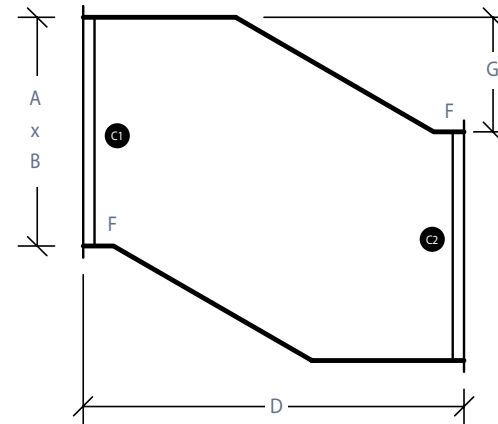
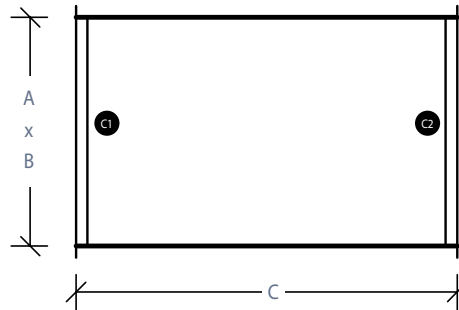
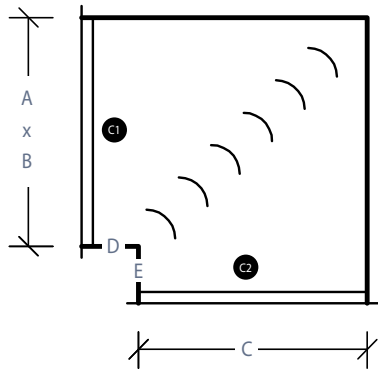


Duct Size	Straight @ 1500	B90	B45	Reducer	Set	Tee	Square - Round	Flat Shoe	Spigot	Cap End
100x100	39.78	21.18	19.45	20.54	21.77	32.00	24.65	17.84	16.86	13.08
150x150	49.54	27.06	25.10	24.17	25.82	39.12	28.30	20.27	18.79	14.71
200x200	59.31	33.99	30.94	28.29	30.54	47.17	31.20	22.69	20.73	16.46
250x250	69.07	41.98	36.80	32.89	35.92	56.14	33.86	25.12	22.67	18.33
300x300	78.83	51.03	42.14	37.99	41.96	66.04	38.71	27.55	24.60	20.33
350x350	88.60	61.13	47.98	43.58	48.67	76.87	44.22	29.97	26.54	22.45
400x400	98.36	72.29	54.30	49.66	56.04	88.62	50.39	32.40	28.47	24.69
450x450	108.12	84.51	61.12	56.23	64.07	101.29	57.22	34.83	30.41	27.06
500x500	117.89	97.79	68.43	63.30	72.77	114.89	64.72	37.25	32.34	29.55
550x550	127.65	112.12	76.23	70.85	82.13	129.42	72.88	39.68	34.28	32.16
600x600	137.42	127.52	84.52	78.90	92.15	144.87	81.70	42.11	36.21	34.89
650x650	147.18	143.97	93.30	87.43	102.83	161.25	91.18	44.53	38.15	37.75
700x700	156.94	161.47	102.57	96.46	114.18	178.55	101.33	46.96	40.08	40.73
750x750	166.71	180.04	112.33	105.98	126.19	196.78	112.14	49.39	42.02	43.83
800x800	176.47	199.66	122.59	115.99	138.86	215.93	123.62	51.81	43.96	47.05
850x850	186.23	220.34	133.34	126.49	152.20	236.01	135.76	54.24	45.89	50.40
900x900	196.00	242.08	144.57	137.48	166.20	257.02	148.56	56.67	47.83	53.87
950x950	205.76	264.87	156.30	148.96	180.86	278.95	162.02	59.09	49.76	57.46
1000x1000	215.52	288.73	168.52	160.93	196.19	301.81	139.57	61.52	51.70	61.18

All goods supplied subject to conditions of sale (see inside back cover)

# Rectangular Ductwork Quick Guide

Use this rectangular ductwork quickguide below or with a smartphone to relay site measures accurately.



Dimension A = Top Depth  
 Dimension B = Depth  
 Dimension C = Bottom Width  
 Dimension D = Top Extension

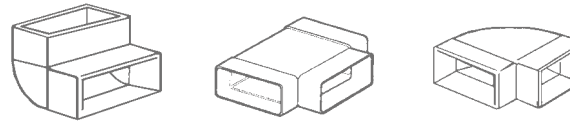
Dimension E = Bottom Extension  
 Flange Type C1  
 Flange Type C2  
 FT = Flat Top

FB = Flat Bottom  
 I = Setting Up/Down/On Top  
 K = Circular Diameter

NB: When setting in two directions use an arrow to denote direction of set along with setting distance. Noting dimension taken from either top or bottom i.e. setting down 150mm on top.



# Plastic Ductwork



Flat Channel	Each
110 x 54mm x 1m	2.70
110 x 54mm x 1.5m	4.10
110 x 54mm x 2m	6.10
150 x 70mm x 1m	4.20
150 x 70mm x 1.5m	6.30
150 x 70mm x 300mm	1.40
150 x 70mm x 400mm	1.60
204 x 60mm x 1m	5.00
204 x 60mm x 1.5m	7.50
204 x 60mm x 2m	9.55
220 x 90mm x 1m	6.20
220 x 90mm x 1.5m	9.40
220 x 90mm x 2m	12.50
225 x 25mm x 1m	9.30
225 x 25mm x 1.5m	13.90
225 x 25mm x 2m	18.50
225 x 25mm x 2.4m	22.20
300 x 25mm x 1m	11.70
300 x 25mm x 1.5m	17.60
300 x 25mm x 2m	23.40
300 x 25mm x 2.4	28.10
Horizontal T-Piece	Each
110 x 54mm	1.50
204 x 60mm	4.00
220 x 90mm	4.80

Horizontal B90	Each
110 x 54mm	1.00
150 x 70mm	2.80
204 x 60mm	3.40
220 x 90mm	4.50
225 x 25mm	3.10
300 x 25mm	4.30

Horizontal B45	Each
110 x 54mm	0.80
204 x 60mm	2.60
220 x 90mm	3.10
225 x 25mm	2.70
300 x 25mm	3.60

Elbow 90° M to F	Each
110 x 54mm - 100Ø	1.30
150 x 70mm - 125Ø	2.70
204 x 60mm - 100Ø	3.20
204 x 60mm 125Ø	3.20
204 x 60mm 150Ø	3.20
220 x 90mm - 100Ø	3.90
220 x 90mm 125Ø	3.90
220 x 90mm x 150Ø	3.90

Short Sq-Rd Adaptor	Each
110 x 54mm x 100Ø (F)	1.20
110 x 54mm x 100Ø (M)	1.20

Vertical B90	Each
110 x 54mm	0.90
150 x 70mm	2.10
204 x 60mm	2.40
220 x 90mm	3.00
225 x 25mm	2.70
300 x 25mm	3.20

Vertical B45	Each
110 x 54mm	3.30
204 x 60mm	3.40
220 x 90mm	4.00
225 x 25mm	6.70
300 x 25mm	7.50

Flat Channel Connector	Each
110 x 54mm	0.70
150 x 70mm	1.00
204 x 60mm	1.20
220 x 90mm	1.40
225 x 25mm	0.70
300 x 25mm	0.80

Sq-Rd Adaptor	Each
110 x 54mm x 100Ø	1.60
150 x 70mm x 125Ø	3.10
204 x 60mm x 100Ø	3.30
204 x 60mm x 125Ø	3.70
220 x 90mm x 150Ø	4.50

We Also Supply...

- Airbricks
- Louvres
- Wall Plates
- Circular Duct
- Insulated Duct
- Reducers
- Dampers
- Vent Kits
- Diffusers
- Cowls



# Tools

## Hand Tools

DESCRIPTION	PRICE
13mm Chrome Vanadium Ratchet Spanner	6.00
17mm Chrome Vanadium Ratchet Spanner	11.00
13mm 1/2 Drive Long Socket	2.50
17mm 1/2 Drive Long Socket	3.00
Claw Hammer	7.00
8mtr Heavy Duty Tape Measure	4.50
Stanley Knife	4.50
Lazy Tong Riveter	15.00
Hand Riveter	9.00
Podger Dual Head 17mm & 21mm	9.50

## Power Tools

DESCRIPTION	PRICE
4.5inch Angle Grinder 110v	25.00
9inch Angle Grinder 110v	60.00

## 110v Accessories

DESCRIPTION	PRICE
110v 14mtr Lead	20.00
110v 25mtr Twin Socket Reel	45.00
110v Four Way Splitter 5mtr Lead	25.00
110v Three Way Splitter	15.00
110v Lead Light with Grip	15.00

# Consumables

## Abrasives

DESCRIPTION	PRICE
4.5 Inch Metal Cutting Disc 20pk	12.00
9 Inch Metal Cutting Disc 10pk	12.00
Hack Saw Blades 10pk	4.50

## Drill Bits

DESCRIPTION	PRICE
4.1mm HSS Stub 10pk	7.50
4.9 HSS Stub 10pk	10.00
6mm SDS Masonary Drill Bit	2.90
8mm SDS Masonary Drill Bit	3.25
10mm SDS Masonary Drill Bit	4.50
12mm SDS Masonary Drill Bit	5.80

## Misc

DESCRIPTION	PRICE
Tarpaulin 4.5 x 6.0 metres	11.00
Tarpaulin 9.0 x 14.0 metres	30.00
LED Head Torch	3.50
Heavy Duty Tool Bag	15.00
Sealer Gun	2.50
Heavy Duty Sealer Gun	4.50

# PPE

## Safety Wear

DESCRIPTION	PRICE
Hard Hat Yellow/White	4.50
Hi-Visibility Vest	5.00
Palm Coated Safety Gloves - Pair	1.50
Ear Defenders (over ear)	4.00
Safety Glasses	2.50
Premium Safety Goggles	4.00
Safety Boots	POA



# Fixings Check List



Use this handy checklist to ensure you have what you need to install your ductwork.

Description	QTY	Description	QTY
M6 x 20mm Set Pins		3.2 x 11mm Alu Rivets	
M6 x 25mm Set Pins		4.0 x 13mm Alu Rivets	
M6 x 30mm Set Pins		4.8 x 15mm Alu Rivets	
M6 x 40mm Set Pins		4.8 x 25mm Alu Rivets	
M8 x 20mm Set Pins		4.0 x 13mm Steel Rivets	
M8 x 25mm Set Pins		4.8 x 15mm Steel Rivets	
M8 x 30mm Set Pins		4.8 x 25mm Steel Rivets	
M8 x 40mm Set Pins		4.2 x 13mm Tek Screws	
M10 x 20mm Set Pins		4.2 x 19mm Tek Screws	
M10 x 25mm Set Pins		M6 x 40mm Coach Screws	
M10 x 30mm Set Pins		M8 x 40mm Coach Screws	
M10 x 40mm Set Pins		M8 x 75mm Coach Screws	
M12 x 20mm Set Pins		M6 Non Drill Anchors	
M12 x 25mm Set Pins		M8 Non Drill Anchors	
M12 x 30mm Set Pins		M10 Non Drill Anchors	
M12 x 40mm Set Pins		M12 Non Drill Anchors	
M6 Full Nuts		M6 Wire Hangers	
M8 Full Nuts		M8 Wedge Nuts	
M10 Full Nuts		M10 Wedge Nuts	
M12 Full Nuts		M12 Wedge Nuts	
M6 Penny Washers		M6 Stud Connectors	
M8 Penny Washers		M8 Stud Connectors	
M10 Penny Washers		M10 Stud Connectors	
M12 Penny Washers		M12 Stud Connectors	

Description	QTY	Description	QTY	Description	QTY
M6 Studding		Zip Clip Type 50		Flexi Foot 250/400/600	
M8 Studding		Zip Clip Type 100		Strut Foot 350/500	
M10 Studding		Zip Clip Type 150		Phenolic Strip Flat	
M12 Studding		Zip Clip Type 200		Phenolic Strip Flexible	
41x21mm x 3mtr LG		Type 50 Wire (200m)		Duct Seal Water Based	
41x21mm x 5mtr LG		Type 100 Wire (100m)		Duct Seal Solvent	
41x41mm x 3mtr LG		Type 150 Wire (100m)		Intumescent Seal	
41x41mm x 5mtr LG		Type 200 Wire (100m)		Clear Silicone	
41x21mm x 3mtr HG		Duct Lock Zip Clips		Grey Silicone	
41x21mm x 5mtr HG		Zip Clip Loop It		PVC Duct Tape 50mm	
41x41mm x 3mtr HG		Zip Perlin Clips 3/5mtr		Cloth Duct Tape 50mm	
41x41mm x 5mtr HG		Zip Wire Sleaving		Alu Tape 50/75/100mm	
41x41mm x 3mtr HG x 2		Zip Corner Saddles		Flange Rubber 20x6mm	
M6 Channel Nuts		Zip Wire Cutters		Flange Rubber 25x6mm	
M8 Channel Nuts		Perlin Clips M8/10/12		Butyl Tape 19/25x3mm	
M10 Channel Nuts		Beam Clamps M8/10/12		Intumescent Tape	
M12 Channel Nuts		41x21 Window Brackets		Lightning Band	
M6 Sq Plate Washers		41x41 Window Brackets		L/Band Clips (50)	
M8 Sq Plate Washers		41x41 Angle Cleats		Cable Ties 0.5/1mtr	
M10 Sq Plate Washers		82x41 Angle Cleats		Ductwrap 25mm	
M12 Sq Plate Washers		41x41 Base Plates		Ductwrap 50mm	
M20 x 5mtr Flange		Cantiliver Arms 300mm		Self Adhesive Barafoam	
M30 x 5mtr Flange		Cantiliver Arms 450mm		Spray Can Adhesive	
M40 x 5mtr Flange		Cantiliver Arms 600mm		Galvafoam Spray	
M20 Corner		Stud Caps M6/8/10/12		Stick Pins	
M30 Corner		41x21 PVC End Caps		Indentification Lables	
M40 Corner		41x41 PVC End Caps		Tarpaulin Sheets	
Bolt On Cleats		Punch Band 30mtr		Polythene Bags	

