

Rectangular Ductwork Prices

All Low Velocity. Lengths of set, reducers and square to rounds are based on the longest side (600mm Max)

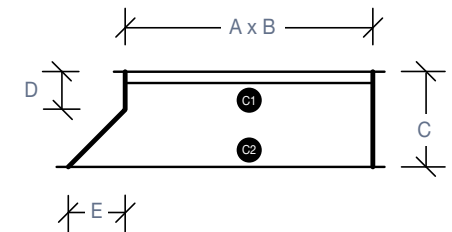
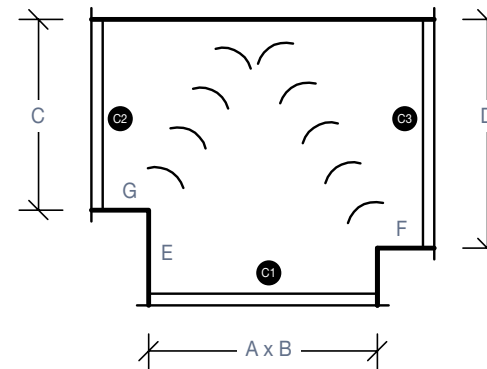
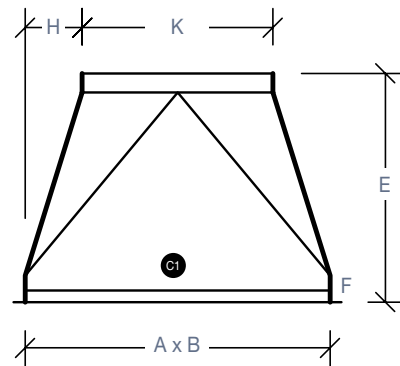
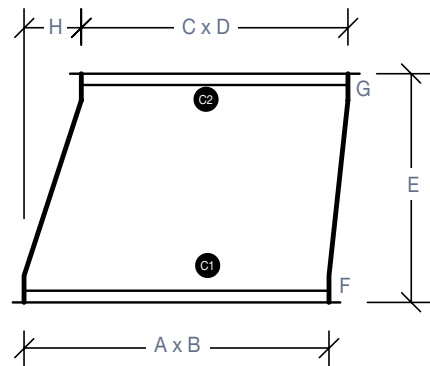
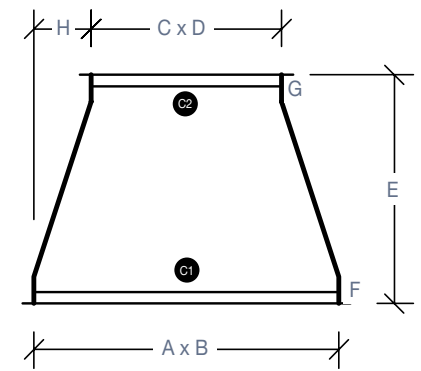
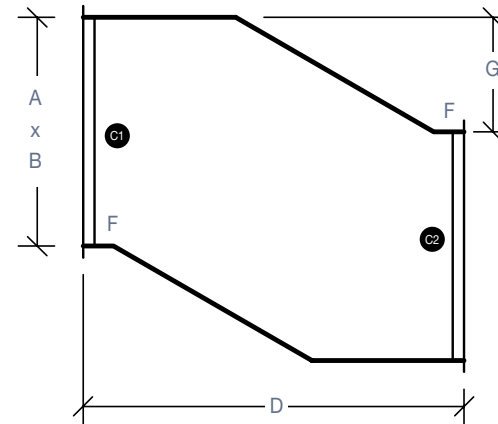
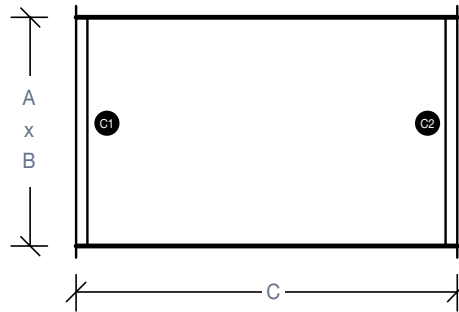
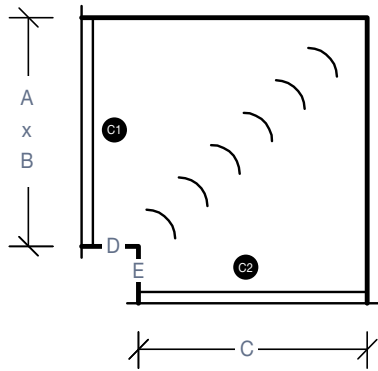


Duct Size	Straight @ 1500	B90	B45	Reducer	Set	Tee	Square - Round	Flat Shoe	Spigot	Cap End
100x100	27.01	20.18	16.28	18.20	19.49	25.89	24.65	17.16	16.59	12.53
150x150	32.46	22.21	18.61	20.10	21.63	30.14	26.19	18.45	17.61	13.36
200x200	37.90	24.76	21.91	22.28	24.15	35.04	28.13	19.75	18.61	14.28
250x250	43.35	30.23	27.14	24.74	27.06	40.58	30.44	21.06	19.64	15.25
300x300	48.80	36.48	30.03	27.48	30.36	46.75	33.14	22.36	20.65	16.33
350x350	54.24	43.55	33.20	30.51	34.04	53.58	36.23	23.68	21.68	17.45
400x400	59.69	51.43	36.66	33.83	38.09	61.05	39.69	24.96	22.70	18.63
450x450	65.13	60.09	40.40	37.43	42.54	69.15	43.55	26.26	23.71	19.90
500x500	70.58	69.58	44.41	41.31	47.35	77.90	47.78	27.58	24.74	21.24
550x550	76.03	79.86	48.73	45.46	52.58	87.29	52.40	28.88	25.74	22.65
600x600	81.46	90.95	53.33	49.93	58.18	97.33	57.40	30.18	26.76	24.13
650x650	86.91	102.83	58.20	54.66	64.14	107.99	62.79	31.48	27.78	25.68
700x700	92.35	115.53	63.36	59.68	70.50	119.30	68.55	32.78	28.80	27.30
750x750	97.80	129.03	68.80	64.98	77.25	131.25	74.71	34.08	29.83	29.00
800x800	103.25	143.33	69.74	70.56	84.38	142.88	81.24	35.39	30.84	30.75
850x850	108.69	158.45	80.55	76.44	91.89	157.10	88.18	36.69	31.86	32.60
900x900	114.14	174.36	86.84	82.59	99.78	170.98	95.48	37.98	32.88	34.50
950x950	119.58	191.08	93.43	89.03	108.06	185.49	103.15	39.29	33.89	36.46
1000x1000	125.03	208.59	100.29	95.76	116.73	200.65	111.23	40.59	34.90	38.53

All goods supplied subject to conditions of sale (see inside back cover)

Rectangular Ductwork Quick Guide

Use this rectangular ductwork quickguide below or with a smartphone to relay site measures accurately.



Dimension A = Top Depth
Dimension B = Depth
Dimension C = Bottom Width
Dimension D = Top Extension

Dimension E = Bottom Extension
Flange Type C1
Flange Type C2
FT = Flat Top

FB = Flat Bottom
I = Setting Up/Down/On Top
K = Circular Diameter

NB: When setting in two directions use an arrow to denote direction of set along with setting distance. Noting dimension taken from either top or bottom i.e. setting down 150mm on top.